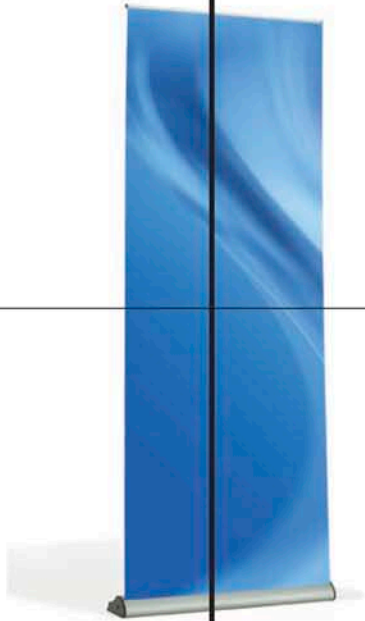


SIGMA ROLLER BANNER STANDS

ROLLER BANNER STANDS

ROLLER BANNER STANDS



Slimline mechanical hanger

complete with
carry bag

Single sided 800mm width

Cameo
Displays

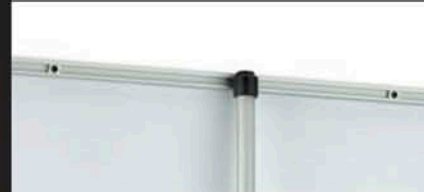
SIGMA

ROLLER BANNER

THE SIGMA BANNER STAND ENCAPSULATES, STYLE, FEATURE AND VERSATILITY. IT'S FLAT ANTI-SLIP BASE DESIGN MAKES THIS ROLLER A HIGH END STAND AT A MID RANGE PRICE.

FEATURES

- Single sided 800mm width
- Slimline mechanical hanger
- Streamlined dynamic design
- Adjustable telescopic marked poles
- Patented mechanism allows graphic tension to be easily adjusted
- Visible graphic height maximum 2.1m
- Sirius spotlight available for use with this product.



Hanger attaches to pole easily



HIGHLY PORTABLE



1. Sirius - Nickel Finish
50w mains spotlight
2. Sirius - Chrome Finish
50w mains spotlight
3. Polaris - Silver Finish
50w mains spotlight
4. Polaris - Black Finish
50w mains spotlight

ROLLER BANNER STANDS

STREAMLINED DYNAMIC DESIGN

RAPID ASSEMBLY

2 YEAR WARRANTY

SIGMA - ASSEMBLY INSTRUCTIONS

SPECIFICATIONS

GRAPHIC PANEL SIZE

Finished graphic panel size
2300 x 800mm
(Includes 200mm bleed)

Visual graphic area

2100 x 800mm

SYSTEM SIZES

Boxed size

900 (L) x 225 (W) x 105 (D)mm

Assembled size

820 (W) x 180 (D) x 2175 (H)mm

BOXED WEIGHT

4.5kg

COMPONENT LIST

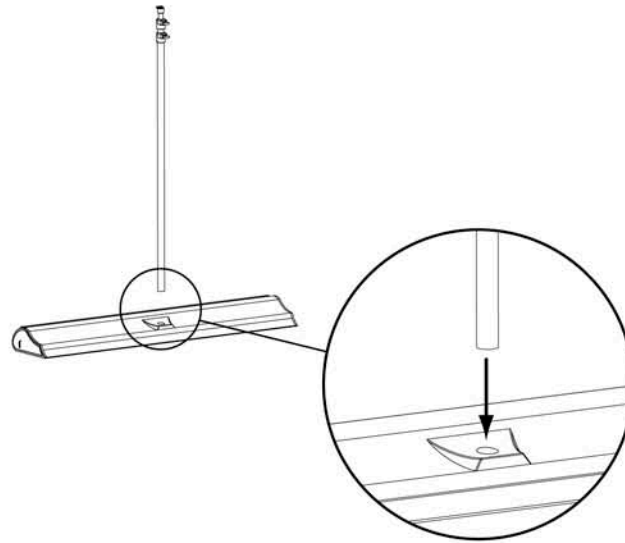
Sigma unit

3 part telescopic pole

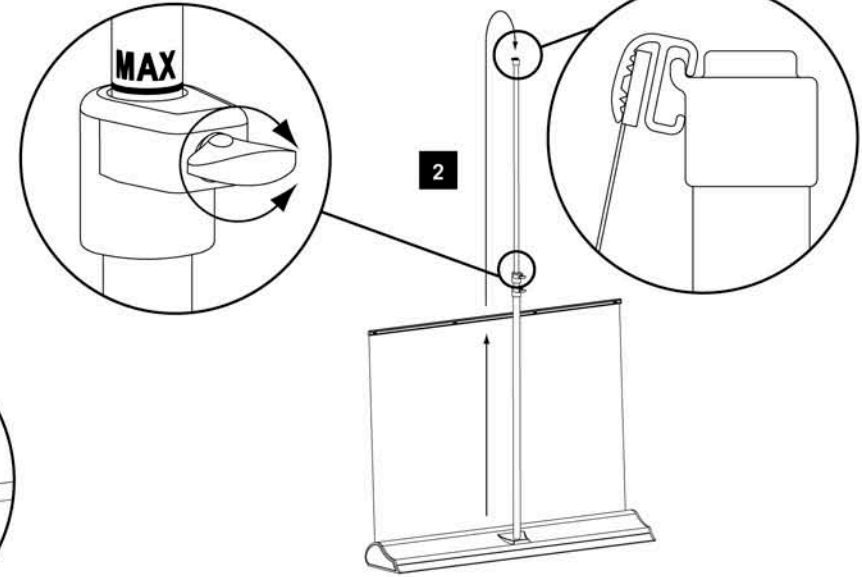
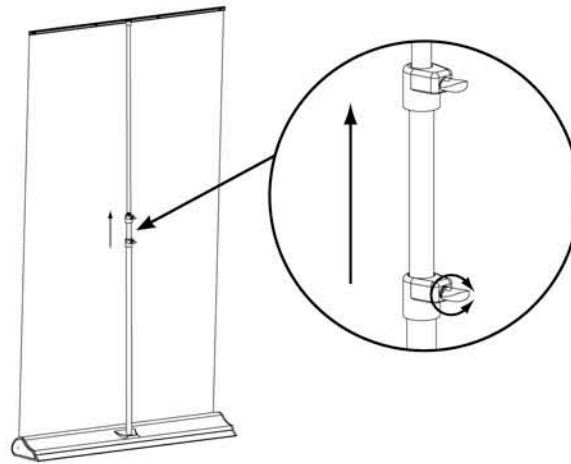
Graphic hanger including self adhesive hanging strip

Carry bag

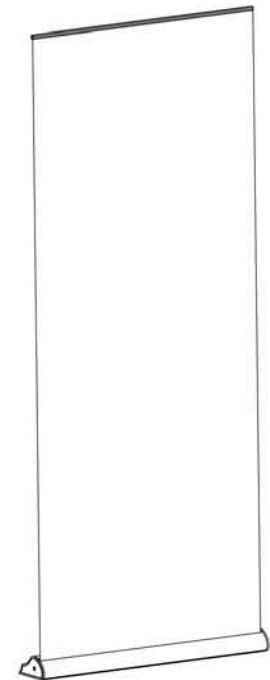
1



3



4



IMPORTANT NOTICE:

When retracting a graphic always slowly guide it into base housing, otherwise graphic damage may occur.

Cameo
Displays